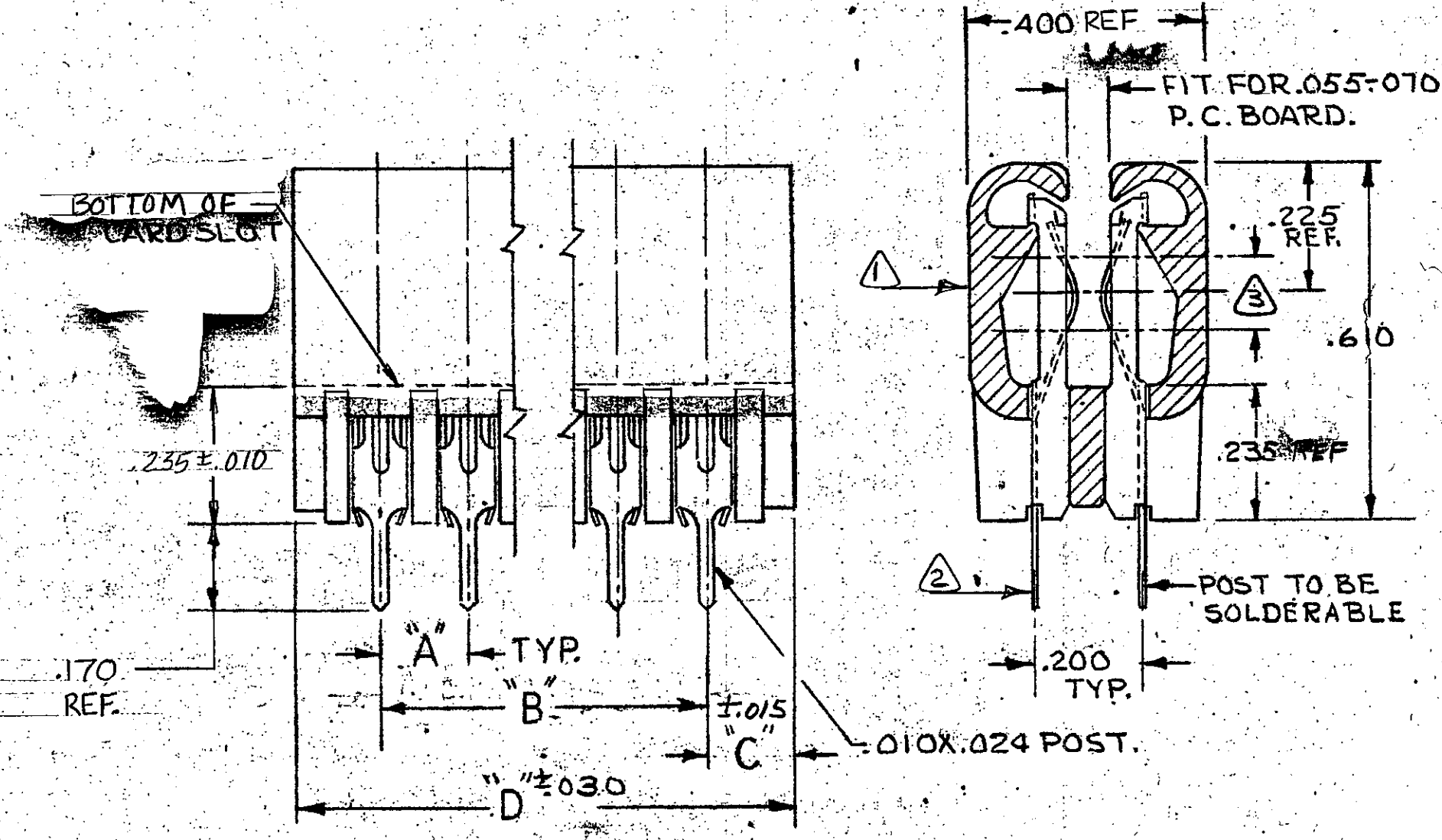


© 1969 BY AMP INCORPORATED. ALL RIGHTS RESERVED. AMP PRODUCTS COVERED BY PATENTS AND/OR PATENTS PENDING.

REVISIONS				
ZONE	LTR	DESCRIPTION	DATE	APPROVED
	U	REVISED PER 0010-0570-95	6-30-95	RB JS
	V	REV PER EC 0320-209-97	7-7-97	NS
	W	REV PER 0651-0010-98	8-11-98	RB NS

PART NO.	NO. OF POS.	A	B	C	D
583533-1	3				
	4		.375		.625
	5		.500		.750
	6		.625		.875
	7		.750		1.000
	8		.875		1.125
	9		1.000		1.250
	10		1.125		1.375
	11		1.250		1.500
1-583533-0	12		1.375		1.625
	13		1.500		1.750
	14		1.625		1.875
	15		1.750		2.000
	16		1.875		2.125
	17		2.000		2.250
	18		2.125		2.375
	19		2.250		2.500
	20		2.375		2.625
	21		2.500		2.750
2-583533-0	22		2.625		2.875
	23		2.750		3.000
	24		2.875		3.125
	25		3.000		3.250
	26		3.125		3.375
	27		3.250		3.500
	28		3.375		3.625
	29		3.500		3.750
	30		3.625		3.875
	31		3.750		4.000
3-583533-0	32		3.875		4.125
	33		4.000		4.250
	34		4.125		4.375
	35		4.250		4.500
	36		4.375		4.625
	37		4.500		4.750
	38		4.625		4.875
	39		4.750		5.000
	40		4.875		5.125
	41		5.000		5.250
4-583533-0	42		5.125		5.375
	43		5.250		5.500
	44		5.375		5.625
	45		5.500		5.750
	46		5.625		5.875
	47		5.750		6.000
	48		5.875		6.125
	49		6.000		6.250
4-583533-8	50	.125	6.125	.125	6.375
4-583533-9	70	.125	8.625	.125	8.875
5-583533-0	50	.125	6.125	.125	6.375
5-583533-1	51	.125	6.250	.125	6.500
5-583533-2	60	.125	7.375	.125	7.625

OBSOLETE



- 3. FINISH: .000015 GOLD. SELECTIVE.
- 4. SEE SHEET 2 FOR RECOMMENDED PRINTED CIRCUIT BOARD LAYOUT.
- 5. FINISH: .000030 GOLD SELECTIVE.

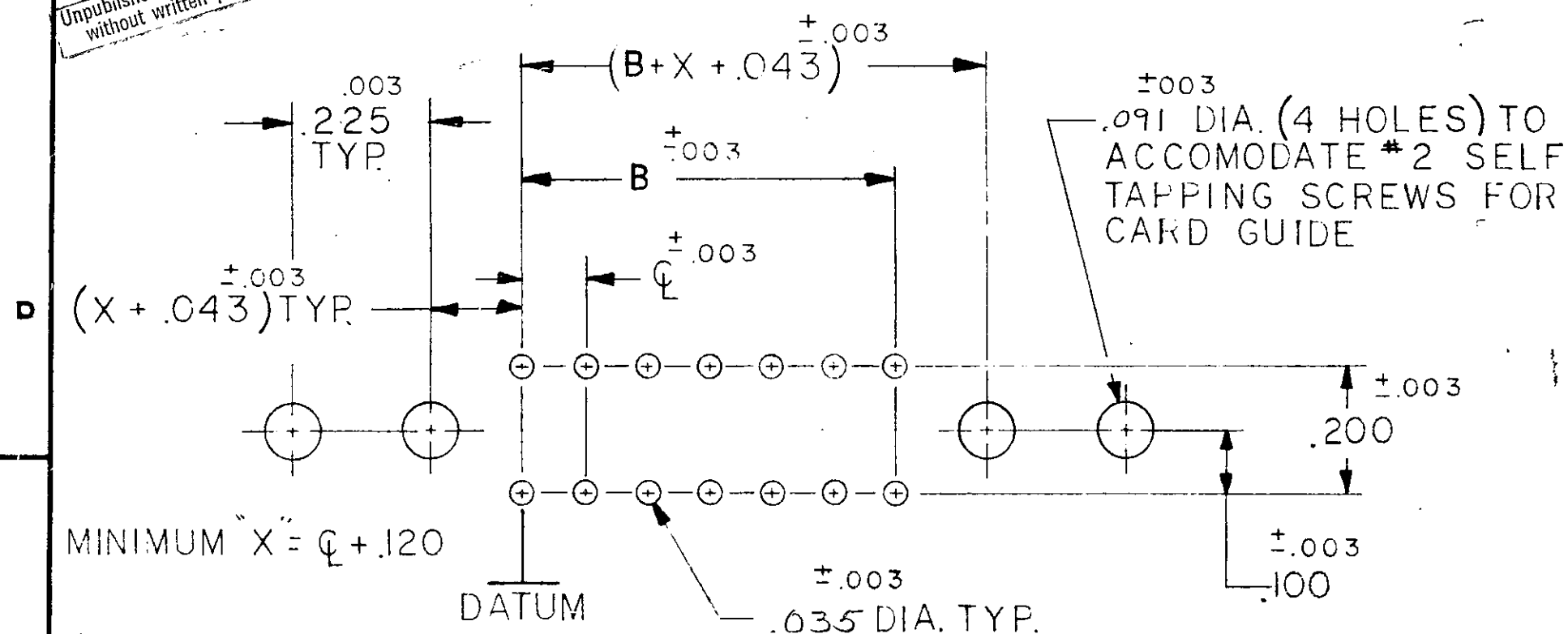
UNLESS OTHERWISE SPECIFIED, DIMENSIONS ARE IN INCHES TOLERANCES ON: DECIMALS ±.005 ANGLES ±.4	CONTRACT NO.	AMP INCORPORATED HARRISBURG, PENNSYLVANIA	
	DR <i>Rumble 1-29-73</i>	NAME HOUSING ASS'Y, TWIN LEAF, 125 C, SOLDER TYPE POST, .010 X .024	
MATERIAL △HOUSING: GLASS FILLED POLYESTER COLOR: BLACK △CONTACT: PHOS. BRONZE	CHK <i>M. Ziegler 2-5-73</i>	APPD <i>Jerry M. Brown 2-5-73</i>	SIZE C
	REL <i>R. J. Trump 3/13/73</i>	DSGN APPD	CODE IDENT NO. 00779
OTHER APPD	NUMBER 583533	SHEET 1 OF 2 SHTS.	

CUSTOMER DRAWING

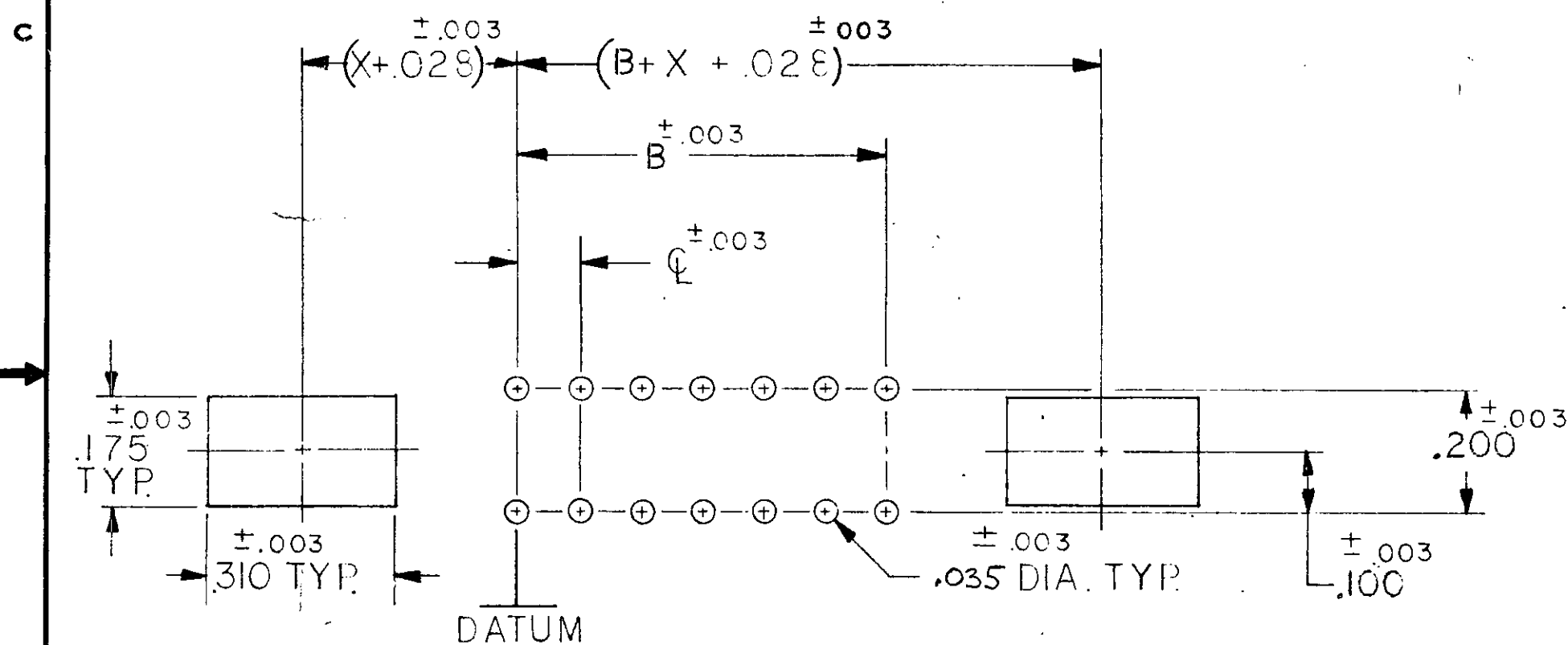
© 1969 BY AMP INCORPORATED. ALL RIGHTS RESERVED. AMP PRODUCTS COVERED BY PATENTS AND/OR PATENTS PENDING.

Unpublished copy not to be reproduced without written permission of AMP

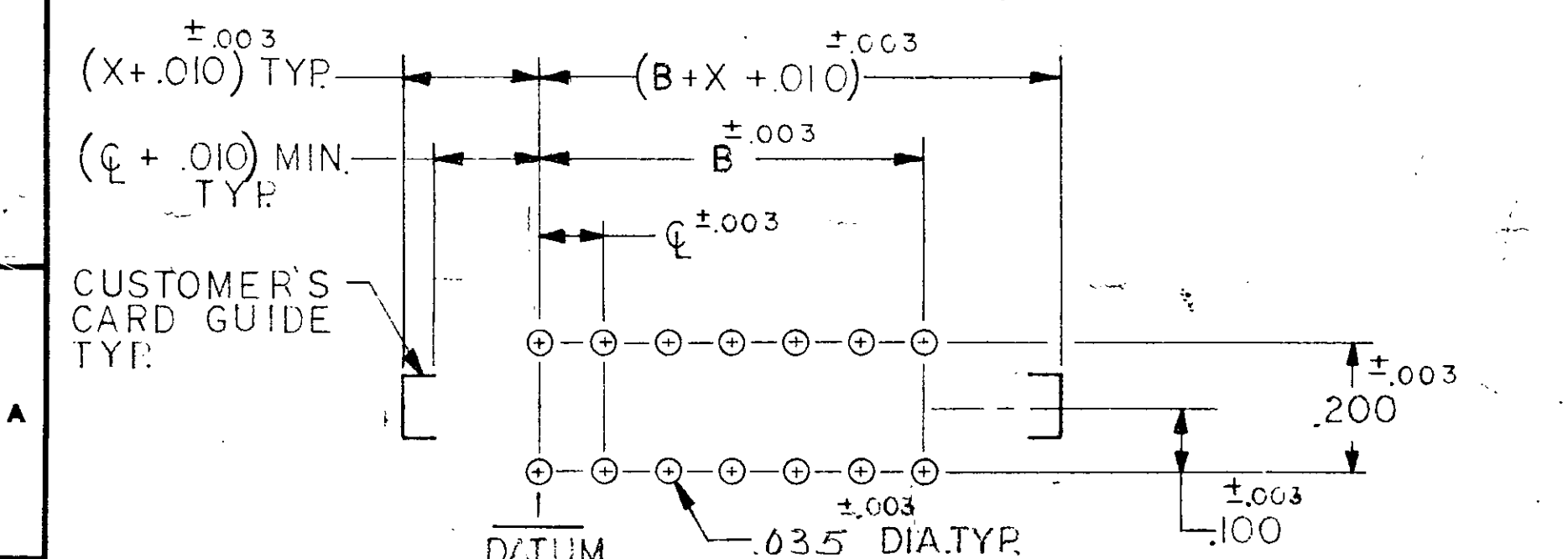
REVISIONS				
ZONE	LTR	DESCRIPTION	DATE	APPROVED
	W	SEE SHEET 1		



BOARD LAYOUT FOR USE WITH AMP CARD GUIDE PART NO. 583671



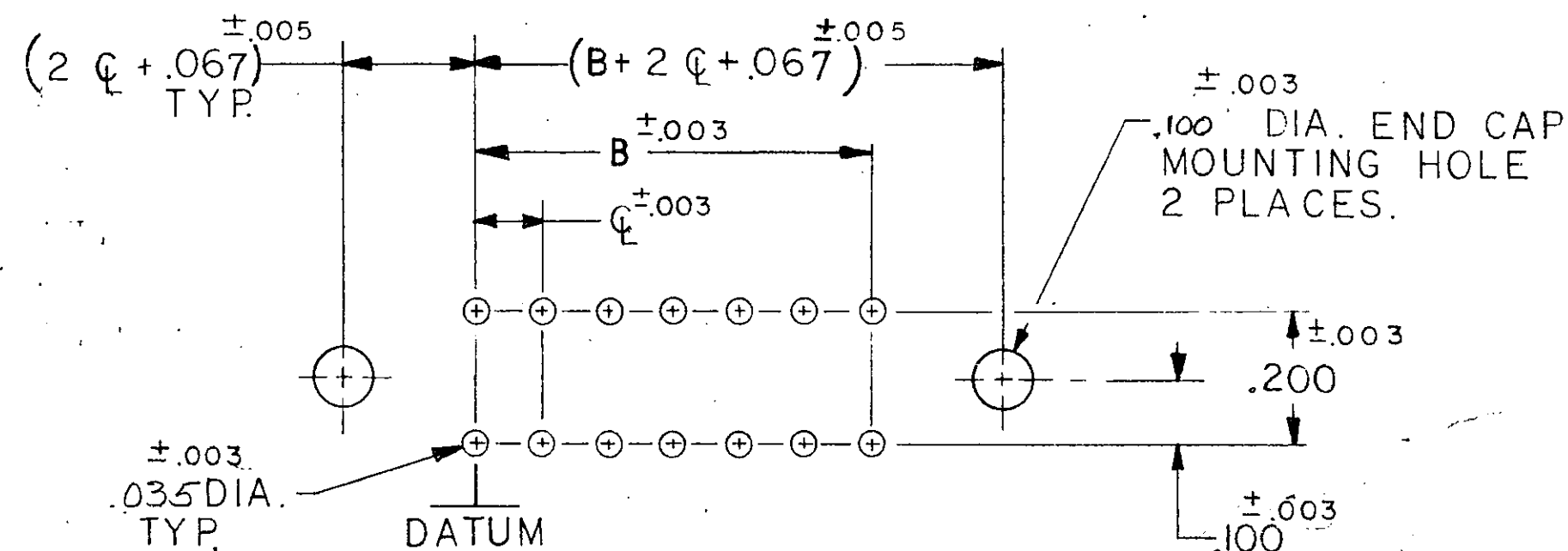
BOARD LAYOUT FOR USE WITH AMP CARD GUIDE PART NO. 583408 CR 583425



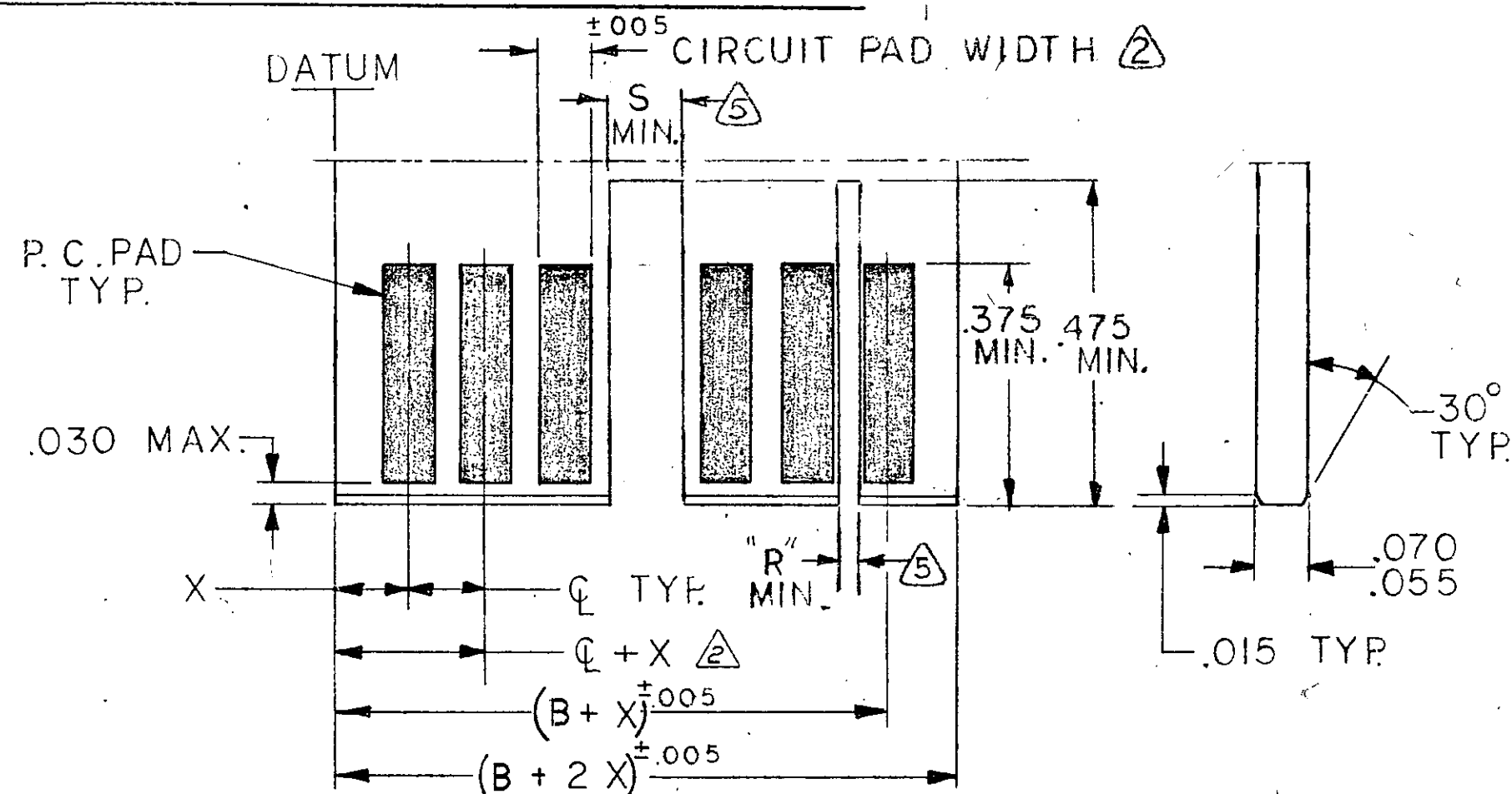
BOARD LAYOUT FOR USE WITH CUSTOMER SUPPLIED CARD GUIDE

THE SLOT FOR INTER-CONTACT KEYING PLUGS MUST BE CENTERED BETWEEN THE PRINTED CIRCUIT PADS, WHILE THE SLOT FOR ON-CONTACT KEYING PLUGS MUST BE CENTERED ON THE AREA OF A PRINTED CIRCUIT PAD.

INTER-CONTACT KEYING PLUG	"R" FOR CENTER LINE SPACING	ON CONTACT KEYING PLUG	"S" FOR CENTER LINE SPACING
530030-1	.050	583714-1	.129
530030-2	.040	583714-2	.160



BOARD LAYOUT FOR USE WITH END CAP



DAUGHTER BOARD LAYOUT

- MAX. ALLOWABLE WARPAGE OF MOTHER BOARD NOT TO EXCEED .005/IN. MAX. ALLOWABLE BOW OF DAUGHTER BOARD NOT TO EXCEED .010/IN. THICKNESS OF MOTHER BOARD IS .062 FOR DOUBLE SLOTTED CARD GUIDES AND .104 MAX. FOR ALL OTHER MOUNTING CONDITIONS.
- EACH PAD LOCATION INCREASES BY Q ±.005 WITH A NON-CUMULATIVE TOLERANCE OF ±.005.
  - CIRCUIT PAD WIDTH - .052 FOR .100 Q
  - .072 FOR .125 Q
  - .072 FOR .150 Q
  - .080 FOR .156 Q
- DIMENSIONS APPLY TO BOTH SIDES OF DAUGHTER BOARD.
- INCREMENTS ON MOTHER BOARD HAVE ±.003 NON-CUMULATIVE TOLERANCE.
- "X" IS A CUSTOMER CONTROLLED DIMENSION EXCEPT FOR END CAP ASSEMBLIES WHERE "X" = Q - .003

UNLESS OTHERWISE SPECIFIED, DIMENSIONS ARE IN INCHES TOLERANCES ON: DECIMALS ± ANGLES ±	CONTRACT NO.	AMP INCORPORATED HARRISBURG, PENNSYLVANIA	
	DR <i>Pumple 1-29-73</i>	NAME HOUSING ASSEMBLY TWIN LEAF CONNECTOR .125 CENTERS	
	CHK <i>M. Zuyler 2-5-73</i>	APPD. <i>Larry M. Brown 2-14-73</i>	SIZE C
	MATERIAL	REL. <i>R.G. Frump 3/13/73</i>	CODE IDENT NO. 00779
	DSGN APPD.	NUMBER 583533	SCALE 1/1
	OTHER APPD.	SHEET 2 OF 2 SHFS.	

CUSTOMER DRAWING

NUMBER 58353.3

B

A

2

3

4